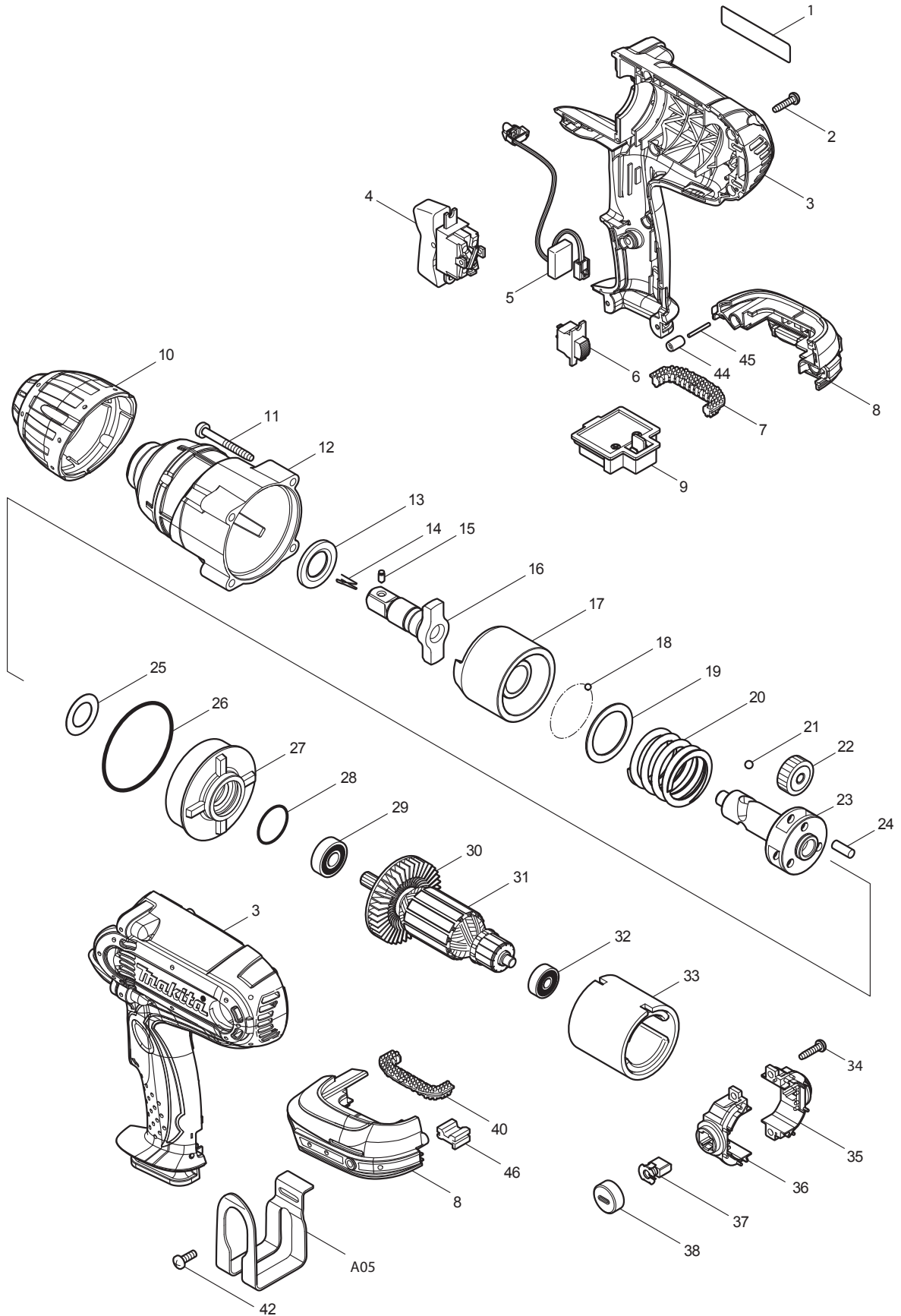




04 - 2014  
DTW450XRFE, DTW450XRTE, DTW450XZ, DTW450FX1  
18V IMPACT WRENCH (FLAT PIN)



Item No	Type	Ref	Part No	Description	Qty	Unit
001	2		857K22-5	NAME PLATE F/DTW450	1	PC.
002			265995-6	TAPPING SCREW 4X18	9	PC.
003			187932-9	HOUSING SET	1	SET
		INC.	263025-7	RUBBER PIN 4	4	PC.
		INC.	802J50-9	CAUTION LABEL (W/NO BATTERY NO.)	1	PC.
004			651572-4	SWITCH SL220SD-19	1	PC.
005			631738-2	LIGHT CIRCUIT	1	PC.
006			638503-0	SWITCH UNIT	1	PC.
007			424042-4	CUSHION RUBBER	1	PC.
008			187873-9	BATTERY HOUSING SET	1	PC.
		INC.	263005-3	RUBBER PIN 6	2	PC.
009	2		643844-1	TERMINAL	1	PC.
010			421971-2	BUMPER	1	PC.
011			266056-5	TAPPING SCREW 5X45	4	PC.
012			158076-2	HAMMER CASE COMPLETE	1	PC.
013			267268-3	FLAT WASHER 19	1	PC.
014			322045-1	CLIP	1	PC.
015			268098-5	PIN 4 (FLAT HEAD)	1	PC.
	Opt.		323675-1	PIN 4 (ROUND HEAD)	1	PC.
016	2		326982-1	ANVIL	1	PC.
017			324697-4	HAMMER	1	PC.
018			216008-6	STEEL BALL 4	29	PC.
019			267340-1	FLAT WASHER 32	2	PC.
020			234338-3	COMPRESSION SPRING 33	1	PC.
021			216007-8	STEEL BALL 6.4	2	PC.
022			227171-0	SPUR GEAR 23	3	PC.
023			310185-7	SPINDLE	1	PC.
024			256033-5	PIN 6	3	PC.
025			253794-8	FLAT WASHER 18	1	PC.
026			213722-5	O RING 63	1	PC.
027			227172-8	INTERNAL GEAR 53	1	PC.
028			213407-3	O RING 26	1	PC.
029			210059-1	BALL BEARING 6000DDW	1	PC.
030			241850-6	FAN 60	1	PC.
031			519199-5	ARMATURE ASS'Y 18V	1	PC.
		INC.		Item No. 29,30,32		
032			210025-8	BALL BEARING 627LLB	1	PC.
033			638107-8	YOKE UNIT	1	PC.
034			265995-6	TAPPING SCREW 4X18	2	PC.
035	1		643818-2	BRUSH HOLDER	1	PC.
	2		643531-2	BRUSH HOLDER	1	PC.
036	1		643823-9	BRUSH HOLDER	1	PC.
	2		643532-0	BRUSH HOLDER	1	PC.
037			195022-4	CARBON BRUSH CB-441	1	SET
038	2		643829-7	HOLDER CAP	2	PC.
040			424042-4	CUSHION RUBBER	1	PC.
042			251314-2	+ SCREW M4X12 (F/HOOK)	1	PC.
044			263036-2	RUBBER PIN 5	1	PC.
045			268184-2	PIN 1.5	1	PC.
046	2		424476-1	CUSHION	1	PC.
047			857K23-3	DTW450 SERIAL NO. LABEL	1	PC.
D01			652008-6	PAN HEAD SCREW M3.5X7	4	PC.
D02			654037-5	INSULATED TERM. FT1.25-M3	2	PC.

Item No	Type	Ref	Part No	Description	Qty	Unit
			<b><u>ACCESSORIES</u></b>			
			- See catalogue or visit <a href="http://www.makita.ca">www.makita.ca</a> for more accessories information -			
A01			-----	BATTERY CHARGER		
A02			-----	18V LI-ION BATTERY		
A03			-----	LI-ION BATTERY ACCESSORIES		
A04			141644-8	PLASTIC CARRYING CASE COMPLETE	1	PC.
	INC.		163467-4	LATCH	2	PC.
A05			345736-7	HOOK	1	PC.
A06			-----	1/2" IMPACT WRENCH ACCESSORIES		
A07			194485-1	FLAT PIN 4 SET (See Instruction Manual 194485-1)	1	PC.
	INC.		268098-5	PIN 4, FLAT HEAD	1	PC.
	INC.		322045-1	CLIP	1	PC.
	INC.		345842-8	HOOK (Not available as an individual part)	1	PC.
A09			-----	DEEP DRIVE SOCKETS		
A10			-----	WORK GLOVES		
A11			195871-9	DRILL BIT REMOVER SET	1	PC.
A12			837645-9	INNER TRAY F/ INTERNAL LOCKING CASE L	1	PC.